

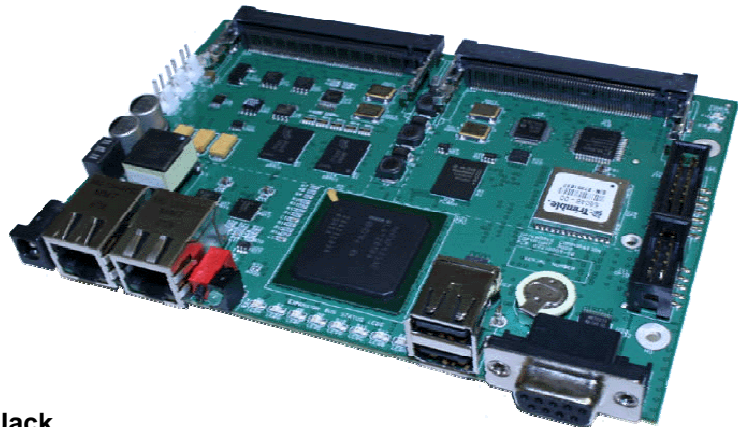


## *A high performance quad Mini-PCI Intel® XScale® IXP435/667MHz processor for enterprise and residential network applications*

The GW2358-4 is a member of the Gateworks Cambria Network Processor family. The GW2358-4 meets the requirements for enterprise and residential network applications. This network processor consists of an Intel® IXP435 XScale® operating at 667MHz, 128Mbytes of DDRII-400 SDRAM, and 32Mbytes of Flash. Peripherals include four Type III Mini-PCI sockets, two 10/100 Base-TX Ethernet ports with IEC-6100-4 ESD and EFT protection, two USB Host ports, and Compact Flash socket. Additional features include digital I/O, serial EEPROM, real time clock with battery backup, system monitor to track operating temperature and input voltage, RS232 serial port for management and debug, and watchdog timer. The GW2358 also supports GPS and RS485 serial port as ordering options. Power is applied through a dedicated connector or through either Ethernet connector with the unused signal pairs in a passive power over Ethernet architecture. The mechanical dimensions and front panel connector locations are compatible with the GW2348. A board support package is included for Linux 2.6 operating systems.

## FEATURES

- ◆ Intel® XScale® IXP435 667MHz Processor
- ◆ 128Mbytes DDRII SDRAM Memory
- ◆ 32Mbytes Flash Memory
- ◆ Compact Flash Socket
- ◆ Four Type III Mini-PCI Sockets
- ◆ Two 10/100 Base-TX Ethernet Ports
- ◆ Two v2.0 Host USB Ports
- ◆ RS232 Serial Port
- ◆ General Purpose Digital I/O
- ◆ 1Kbyte Serial EEPROM
- ◆ Battery Powered Real Time Clock
- ◆ Voltage and Temperature Monitor
- ◆ Watchdog Timer
- ◆ Front Panel LED and Reset Switch
- ◆ Passive Power Over Ethernet and Barrel Jack
- ◆ Reverse Voltage and Transient Protection
- ◆ 8 to 48VDC Input Voltage Range
- ◆ 20W Shared Between Mini-PCI Sockets
- ◆ 6W Typical Operating Power
- ◆ -40°C to 85°C Operating Temperature
- ◆ Linux v2.6 Board Support Package
- ◆ 1 Year Warranty
- ◆ Optional GPS and RS485 Serial Port



## SPECIFICATIONS

### ELECTRICAL

#### Input Voltage

- ▼ 8 to 48VDC

#### Operating Current

- ▼ 0.25A Typical @ 24VDC

### MECHANICAL

#### Dimensions

- ▼ 4.0in x 6.0in x 1.2in (102mm x 152mm x 30mm)

#### Weight

- ▼ 5 oz (142g)

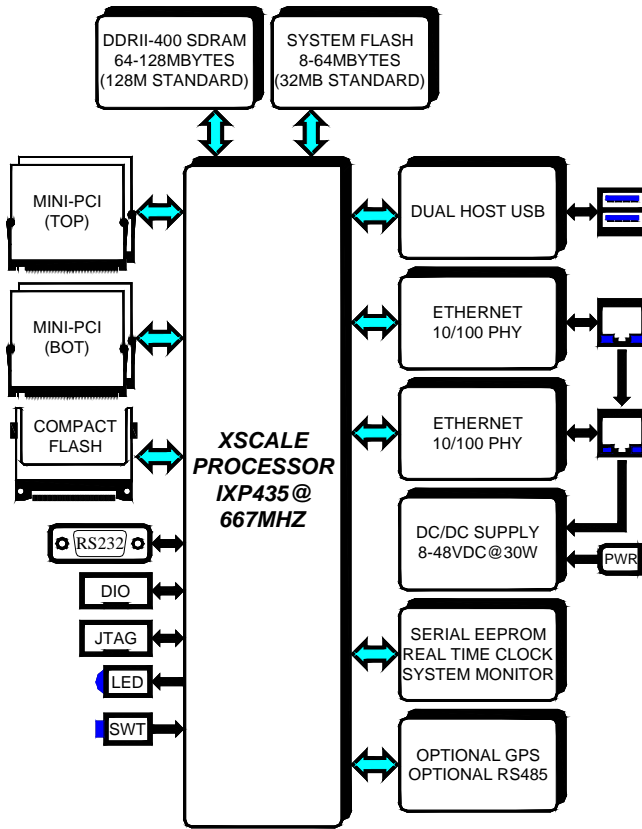
### ENVIRONMENTAL

#### Operating Parameters

- ▼ Temperature: -40°C to +85°C
- ▼ Humidity (non-condensing): 20% to 90%
- ▼ MTBF: 60 years @ 55°C

#### Storage Parameters

- ▼ Temperature: -40°C to +85°C
- ▼ Humidity (non-condensing): 5% to 95%



**Avila GW2358-4 Functional Diagram**

## ORDERING OPTIONS

### Standard Configuration

#### GW2358-4

- ▼ IXP435 CPU @ 667MHz
- ▼ 128Mbytes SDRAM
- ▼ 32Mbytes Flash
- ▼ Four Type III Mini-PCI Slots

### Development Kit

#### GW2358-DEVKIT

- ▼ GW2358-4 Network Computer
- ▼ Redboot v2.04 Loader
- ▼ Linux v2.6 Board Support Package
- ▼ USB, Ethernet and Serial Cables
- ▼ Passive PoE Power Supply
- ▼ JTAG Programmer with Linux & Windows Drivers

### Other Configurations

The GW2358 can be customized for volume applications by changing the features listed below. Contact the factory for additional information.

- ▼ Intel IXP43x processor type and speed
- ▼ DDRII SDRAM from 64Mbytes to 128Mbytes
- ▼ Flash from 8Mbytes to 64Mbytes
- ▼ Adding optional peripherals
- ▼ Removing populated peripherals
- ▼ Operating temperature range

| Product  | CPU    | Size (in) | Mini-PCI Sites | Ethernet Ports | PoE     | Special Features          | Operating Range |
|----------|--------|-----------|----------------|----------------|---------|---------------------------|-----------------|
| GW2347   | IXP42x | 4x4       | 1              | 1              | Passive | Small, Low Power          | 6-20VDC         |
| GW2357   | IXP42x | 4x4       | 1              | 1              | 802.3af | Small, 802.3af Power      | 38-60VDC        |
| GW2353   | IXP42x | 4x7       | 2              | 1              | Passive | Audio, Video, GPS, Auto   | 8-48VDC         |
| GW2355   | IXP42x | 4x6       | 4              | 5              | Passive | Optional GPS, QoS Switch  | 9-48VDC         |
| GW2348-2 | IXP42x | 4x6       | 2              | 2              | Passive | Low Cost Two Radio        | 9-48VDC         |
| GW2348-4 | IXP42x | 4x6       | 4              | 2              | Passive | Optional USB              | 9-48VDC         |
| GW2358-4 | IXP43x | 4x6       | 4              | 2              | Passive | USB, Optional GPS & RS485 | 8-48VDC         |

Other configurations of each product are possible. Contact factory for more information.

### **Gateworks Avila and Cambria Feature Comparison**