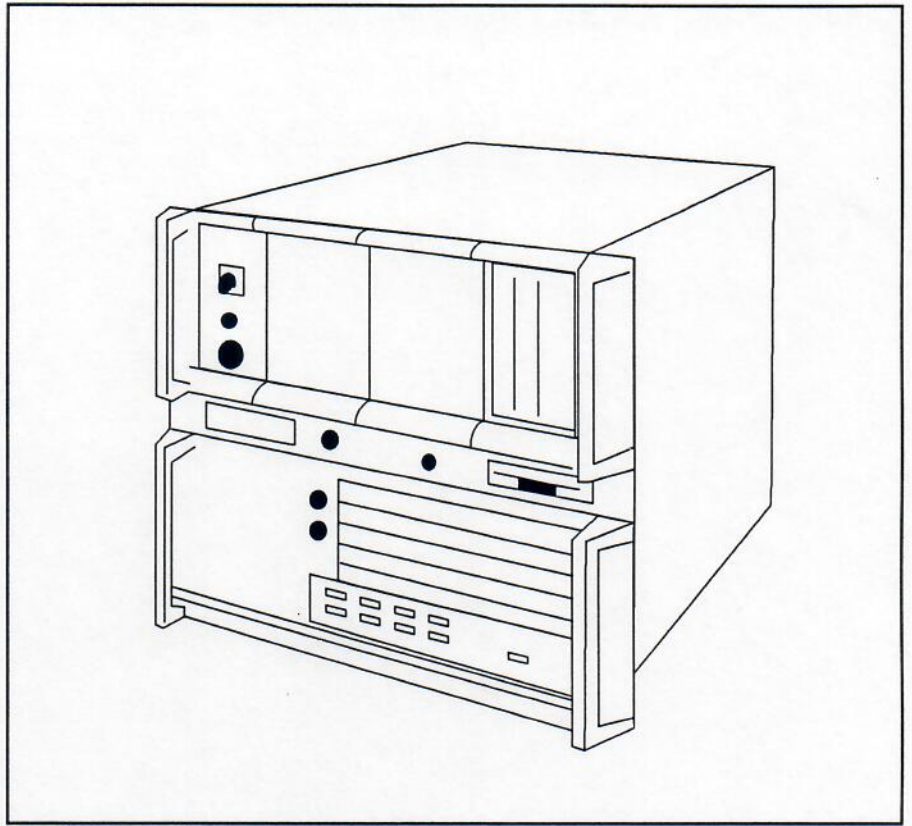


Configuration DIAB2340



Basic system

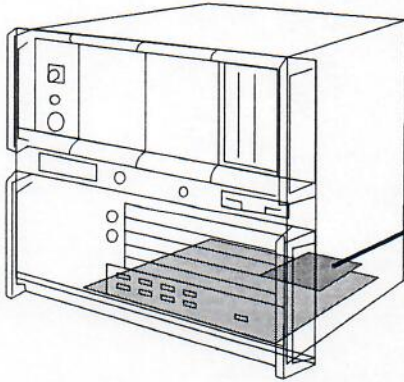
The basic system comprises:

- Mother board with
 - Processor and floating point processor M68040
 - One SCSI port
 - Four V.24 asynchronous channels
- Power supply
- 3.5" diskette drive

Use this configuration guide to select primary memory, mass storage, backup facilities and ports as required by the application.

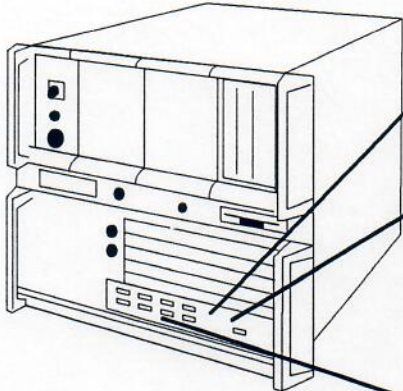
DIAB DATA
A Bull Company

System expansion



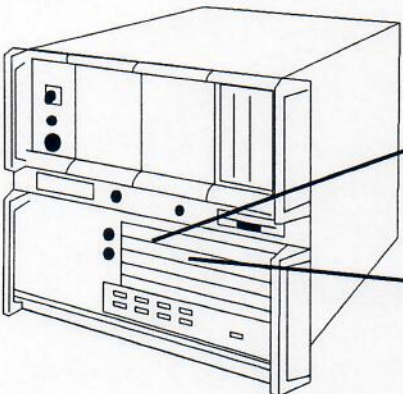
Memory expansion

The computer shall be equipped with sufficient primary memory. Memory modules are installed directly on the mother board.



SCSI expansion

The computer may be equipped with an extra SCSI port to accept external hard disks and backup units.

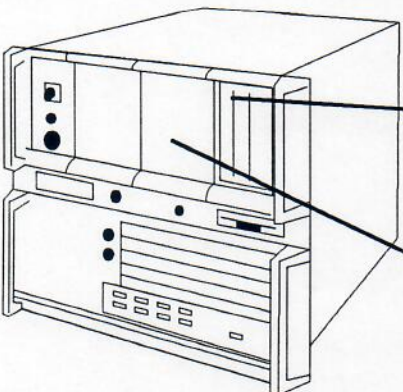


Ethernet expansion

The computer may be equipped with an internal Ethernet port, see Configuration guide ComC.

Serial ports

The number of asynchronous channels can be expanded with terminal boards and/or terminal concentrators.

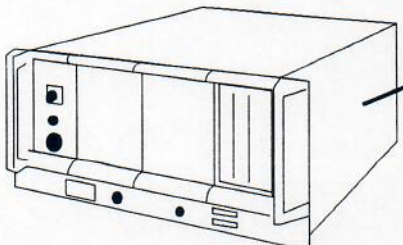


Terminal boards

The terminal board 4xV.24 is controlled directly by the main processor and handles four channels. The terminal board is installed directly on the mother board.

Terminal concentrators

The terminal concentrator 10xV.24 has ten channels and an onboard processor. The terminal concentrator thus does not load the main processor. The terminal concentrator occupies one VME slot.



Expansion via VME

The computer has a VME rack for flexible expansion of communication and network ports (ComC/KOM-KIT II), ports for terminals (see above) and for connection of a 1/2" tape station. See Configuration guide ComC for details. The VME boards are installed from the front.

Backup units

Backup units are available in different versions, streamers, WORM, DAT, etc. The units are installed from the front of the computer.

Mass storage units

The computer should always be equipped with sufficient mass storage. Disk capacity can be expanded in steps. The hard disks are installed from the front of the computer.

Additional mass storage

The system's mass storage capacity can be expanded by using a SCSI-RACK.

UPS

For maximum operating reliability, the computer should be operated with a UPS and power fail indicator.

Min/max configuration

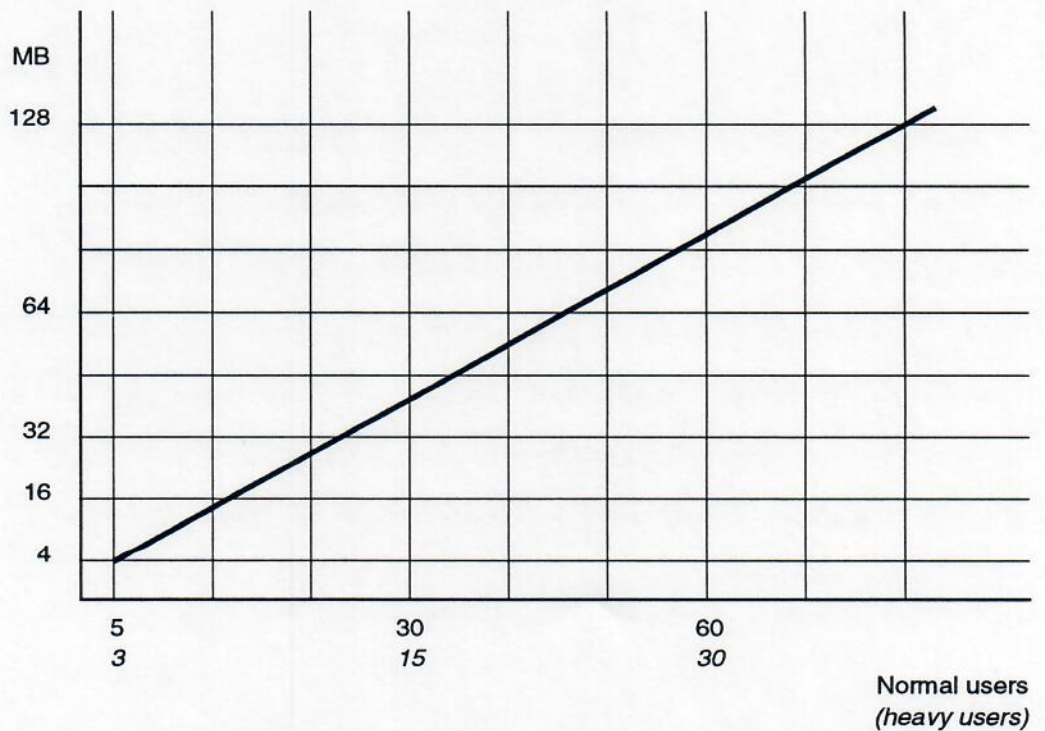
The computer may be configured within these limits. However, certain units can not be combined freely, see page 4.

| Parameter | Min configuration | Max configuration |
|----------------|-------------------|-------------------|
| Primary memory | 4 MB | 128 MB |
| Serial ports | 4 | 38 |
| Comm ports | 0 | 8 |
| Network ports | 0 | 4 |
| Mass storage | 240 MB | 5 000 MB |
| Backup units | 0 | 4 400 MB |

Recommendations

The graph below shows how the computer may be expanded with primary memory in different applications. The expansion, however, depends very much upon the number and types of users as well as applications running on the system.

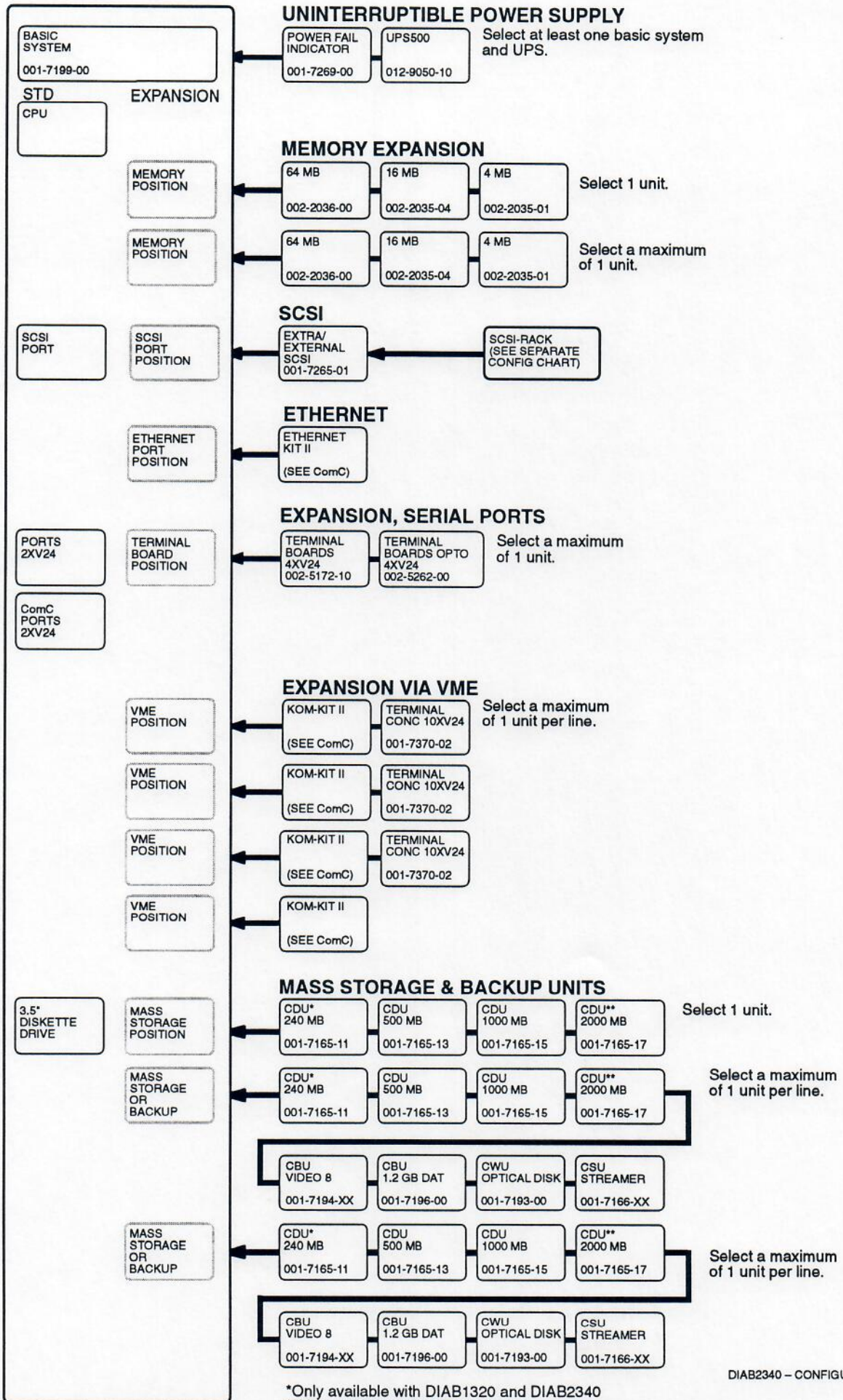
A normal user is defined as an office automation package user while a heavy user is defined as a 4GL or database user.



About the detail configuration...

Use the matrix on page 4 to configure the system. Cross out the units required in the actual system. At the same time, cross out expansion positions used. Please note the remarks regarding minimum numbers and the remarks regarding certain limitations in numbers and combinations.

Detail configuration

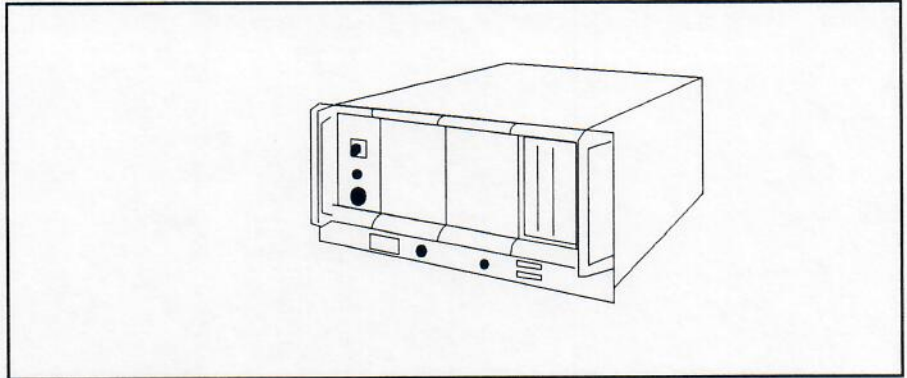


*Only available with DIAB1320 and DIAB2340
 **Must not be used as Boot device

Configuration SCSI-RACK

The unit comprises:

- three slots for mass storage and backup units
- power supply



Detail configuration

