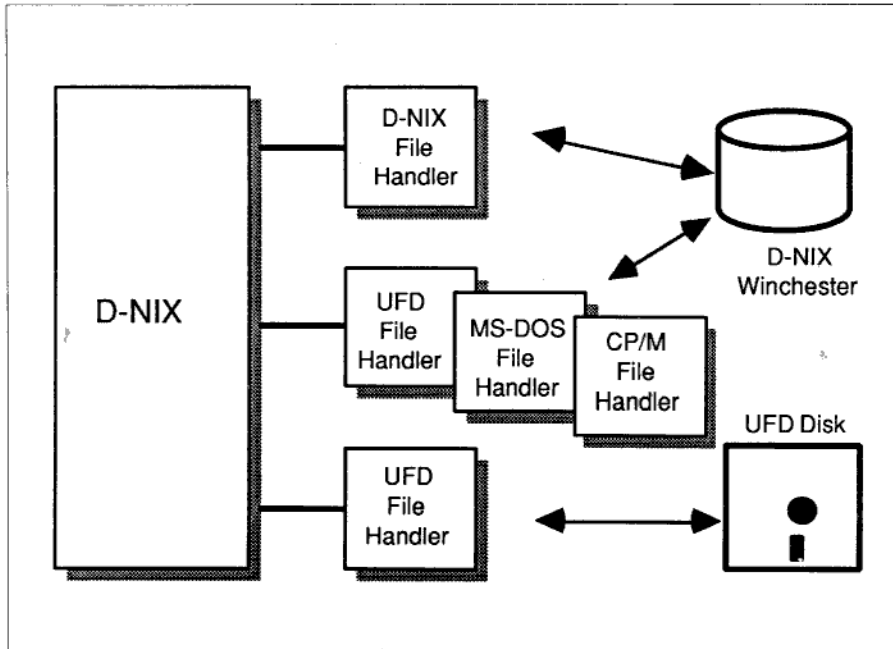


MS-DOS, PC-DOS, CP/M, UFD-DOS, CP3740



the user the facility to manage files and data on an MS-DOS/PC-DOS structured disc using the ordinary D-NIX utilities such as copy, rm, etc. The file handler is designed to take care of all different diskette formats, from MS-DOS/PC-DOS version 1.0 to 3.1. Hard disk structured systems using 12 bit FAT entries can also be used. Diskettes or disks must be initiated on an MS-DOS/PC-DOS computer.

CP/M file handler

The CP/M file handler manages files in the world of CP/M. Diskettes and disks created under CP/M 2.0 - 3.0 can be used.

UFD-DOS file handler

The UFD-DOS file handler manages files of the UFD-DOS format. Diskettes or disks created under UFD-DOS can be used.

CP3740

CP3740 is not a file handler but a program performing nearly the function of a file handler. The program copies data files from/to an IBM3740 formatted diskette.

A handler is a process which can be used as a resource by other processes in the system.

Normally, handlers are employed to perform different system functions. A typical application is the file handler. Other system functions include handlers for databases, networks, communication, protocols, etc.

The D-NIX file handler is one of these service functions which normally is active in a D-NIX environment.

Other file handlers can also be used in parallel with the D-NIX file handler.

A file handler supports the system with all services needed to read and write MS-DOS, PC-DOS, CP/M or UFD-DOS diskettes or disks. The file handler knows what kind of data format that has to be used and the handler knows how data shall be read and written on the medium.

It is very easy to install a handler in the system. Just use the /etc/mount program to add the wanted disk to the D-NIX file system, then using standard D-NIX utilities,

read and write data - create and delete files, can be performed in the normal way.

MS-DOS/PC-DOS filehandler

The MS-DOS/PC-DOS file handler opens the door to the MS-DOS world. In a convenient way, it gives

